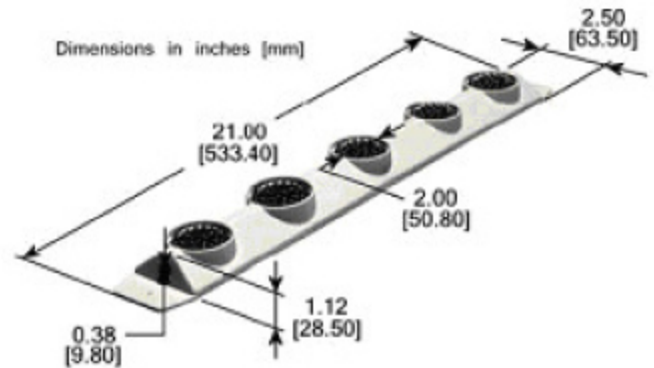
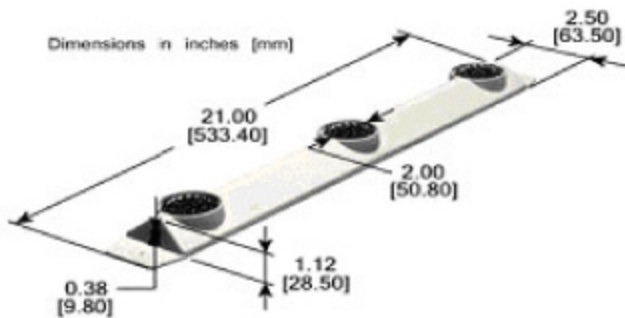




LGM3 and LGM550 Specifications

The LGM3

The LGM3 professional bar is appropriate for all stages of plant growth. Encourages robust, compact growth, and actively promotes blooming.



The LGM550

The LGM550 is the highest performance horticultural lighting available on the market today.

Plant Grow Light Efficiency
Targeted Plant Growth & Health Peak Spectrum
Operating Temperature
Operating Life

Power Consumption
Power Supply
Electrical Hazard
Fire Hazard
Glass Breakage Hazard
Ultra-Violet Light Emissions
White-light pollution
Environmental Impact
Time to Full Output After Power Interruption
Fixture Mounting Considerations

LGM3 -3 Clusters of 38 HBLED's

LGM550- 5 Clusters of 38 HBLED's

Bar Weight and dimensions LGM3,LGM550
Sun Mount
Power Adaptor

greater than 90%
 greater than 95%
 less than 15 degrees Fahrenheit above ambient temperatures
 100,000 hours, with 0% plant light production degradation at 24/7 operation

9 Watts
 International 120/240

No
 No
 No
 No
 No

Minimal
 Instant full power

User option, LED Grow Master products are easily mounted either vertically or horizontally.

Target the light frequencies that plants rely on for growth and health. 114 LEDs per bar, 38 LEDs per cluster, 1 7/8" cluster diameter, 1 1/8" ears. Two beam spreads- 45° and 33°

Target the light frequencies that plants rely on for growth and health. 190 LEDs Per Bar, 38 LEDs Per Cluster, 2" between clusters, 1 7/8" Cluster Diameter, 1 1/8" ears. Two beam spreads 45° and 33°

.75 lbs 21" x 2.5" x 1"
 1.5 lbs 28" x 6" x 1"
 .75 lbs 3" x 3" x 7"